

Notice 123, RATEFOLD

Effective July 15, 2007

First-Class Mail®

One Ounce Letter	\$0.41
One Ounce Flat	0.80
One Ounce Parcel	1.13
Additional Ounce	0.17
Card Rate	0.26

Priority Mail®

Up to 1 Pound	\$4.60
Flat-Rate Envelope	4.60
Flat-Rate Boxes	8.95

Express Mail®*

Up to 1/2 Pound	\$16.25
Over 1/2 up to 1 Pound	19.50
Over 1 Pound to 2 Pounds	21.40
Flat-Rate Envelope	16.25

*PO to Addressee Service

Class of Mail

Class of Mail	Page
First-Class Mail	1-2
Express Mail	3
Priority Mail	4
Standard Mail®	5-9
Periodicals	10
Parcel Post®	11-12
Parcel Select®	13
Media Mail®	14
Library Mail	14
Bound Printed Matter	15-16
Extra Services and Fees	17-19
First-Class Mail Shape Summary	20

First-Class Mail—Retail

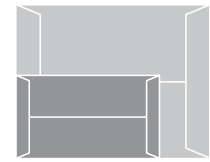
Weight Not Over (ounces)	Letters and Cards ¹	Large Envelopes ²	Packages ³
1	\$0.41	\$0.80	\$1.13
2	0.58	0.97	1.30
3	0.75	1.14	1.47
3.5	0.92 ⁴	1.31	1.64
4	—	1.31	1.64
5	—	1.48	1.81
6	—	1.65	1.98
7	—	1.82	2.15
8	—	1.99	2.32
9	—	2.16	2.49
10	—	2.33	2.66
11	—	2.50	2.83
12	—	2.67	3.00
13	—	2.84	3.17
Card Rate ⁵	\$0.26	—	—

- Letters that meet one or more of the nonmachinable characteristics in DMM 101.1.2 are subject to the \$0.17 nonmachinable surcharge.
- Pieces that are rigid, nonrectangular, or not uniformly thick pay package rates.
- For keys and identification devices, add \$0.70. If more than 13 ounces, see Priority Mail rates.
- For weights over 3.5 ounces, see large envelope (flat) rates.
- The card rate applies to each single or double postcard when originally mailed; reply half of double postcard must be designed for reply mail purposes only.



Letters

	minimum	maximum
Length	5 inches	11-1/2 inches
Height	3-1/2 inches	6-1/8 inches
Thickness	0.007 inch	1/4 inch



Large Envelopes (Flats)

	minimum*	maximum
Length	11-1/2 inches	15 inches
Height	6-1/8 inches	12 inches
Thickness	1/4 inch	3/4 inch

* Flats exceed at least one of these dimensions



Packages

Length	The longest side of the package.
Girth	Measurement around the thickest part (perpendicular to the length).
Length plus Girth	Cannot exceed 108 inches (Parcel Post cannot exceed 130 inches).

Express Mail

Weight Not Over (pounds)	Custom Designed	Next Day & Second Day PO to PO	Next Day & Second Day PO to Addressee
0.5	\$14.15	\$13.85	\$16.25
1	17.40	17.10	19.50
2	19.30	19.00	21.40
3	22.40	22.10	24.50
4	25.50	25.20	27.60
5	28.60	28.30	30.70
6	31.70	31.40	33.80
7	34.80	34.50	36.90
8	37.90	37.60	40.00
9	41.00	40.70	43.10
10	43.15	42.85	45.25
11	45.30	45.00	47.40
12	47.45	47.15	49.55
13	49.60	49.30	51.70
14	51.75	51.45	53.85
15	53.90	53.60	56.00
16	56.05	55.75	58.15
17	58.20	57.90	60.30
18	60.35	60.05	62.45
19	62.50	62.20	64.60
20	64.65	64.35	66.75
21	66.80	66.50	68.90
22	68.95	68.65	71.05
23	71.10	70.80	73.20
24	73.25	72.95	75.35
25	75.40	75.10	77.50
26	77.55	77.25	79.65
27	79.70	79.40	81.80
28	81.85	81.55	83.95
29	84.00	83.70	86.10
30	86.15	85.85	88.25
31	88.30	88.00	90.40
32	90.45	90.15	92.55
33	92.60	92.30	94.70
34	94.75	94.45	96.85
35	96.90	96.60	99.00
36	99.05	98.75	101.15
37	101.20	100.90	103.30
38	103.35	103.05	105.45
39	105.50	105.20	107.60
40	107.65	107.35	109.75
41	109.80	109.50	111.90
42	111.95	111.65	114.05
43	114.10	113.80	116.20
44	116.25	115.95	118.35
45	118.40	118.10	120.50
46	120.55	120.25	122.65
47	122.70	122.40	124.80
48	124.85	124.55	126.95
49	127.00	126.70	129.10
50	129.15	128.85	131.25
51	131.30	131.00	133.40
52	133.45	133.15	135.55
53	135.60	135.30	137.70
54	137.75	137.45	139.85
55	139.90	139.60	142.00
56	142.05	141.75	144.15
57	144.20	143.90	146.30
58	146.35	146.05	148.45
59	148.50	148.20	150.60
60	150.65	150.35	152.75
61	152.80	152.50	154.90
62	154.95	154.65	157.05
63	157.10	156.80	159.20
64	159.25	158.95	161.35
65	161.40	161.10	163.50
66	163.55	163.25	165.65
67	165.70	165.40	167.80
68	167.85	167.55	169.95
69	170.00	169.70	172.10
70	172.15	171.85	174.25

Express Mail Flat-Rate Envelope

The Express Mail flat-rate envelope is \$16.25 for PO to Addressee service to any U.S. destination regardless of the actual weight of the piece.



Click-N-Ship

Use Click-N-Ship® service at www.usps.com to print Express Mail shipping labels with postage.

Postage Rate Calculator

To compute Express Mail or any postage rate, visit www.usps.com and click on "Calculate Postage."

Same Day Airport service is currently suspended.

Priority Mail

Weight Not Over (pounds)	Zone ^{1, 2, 3}						
	Local, 1, & 2	3	4	5	6	7	8
1	\$4.60	\$4.60	\$4.60	\$4.60	\$4.60	\$4.60	\$4.60
2	4.60	4.90	5.30	6.20	6.55	7.00	7.50
3	5.05	5.70	6.40	8.25	9.10	9.65	10.55
4	5.70	6.65	7.70	10.20	11.10	12.20	13.45
5	6.30	7.55	8.90	11.90	12.90	14.35	15.85
6	6.85	8.25	10.00	12.95	13.10	14.75	16.05
7	7.35	8.85	11.00	13.95	14.35	16.40	18.30
8	7.75	9.60	11.95	14.90	15.60	18.00	20.55
9	8.15	10.25	12.50	15.90	16.85	19.60	22.85
10	8.50	10.75	13.10	16.95	18.25	21.30	25.05
11	8.80	11.20	13.65	17.95	19.75	22.90	26.35
12	9.15	11.70	14.20	18.95	21.30	24.10	27.50
13	9.50	12.20	14.75	20.00	22.85	25.05	28.45
14	9.80	12.70	15.35	20.90	24.10	26.50	29.85
15	10.15	13.20	15.90	21.55	24.65	26.75	30.50
16	10.35	13.45	16.20	22.00	25.20	27.35	31.25
17	10.50	13.70	16.50	22.55	25.85	28.05	32.10
18	10.70	13.90	16.80	23.00	26.35	28.60	32.85
19	11.10	14.15	17.10	23.55	27.00	29.30	33.70
20	11.60	14.35	17.40	23.95	27.50	29.85	34.40
21	12.00	14.55	17.70	24.35	27.95	30.40	35.10
22	12.50	14.80	17.95	24.90	28.60	31.10	35.95
23	12.90	15.00	18.45	25.30	29.10	31.65	36.60
24	13.35	15.20	19.00	25.85	29.70	32.35	37.50
25	13.85	15.40	19.65	26.25	30.15	32.85	38.15
26	14.25	15.60	20.25	26.80	30.80	33.55	39.35
27	14.70	15.80	20.85	27.20	31.25	34.05	40.80
28	15.15	16.00	21.40	27.55	31.70	34.55	42.30
29	15.60	16.20	22.05	27.90	32.10	35.00	43.70
30	16.10	16.40	22.65	28.30	32.55	35.50	45.15
31	16.50	16.55	23.25	28.65	32.95	35.95	46.65
32	16.95	16.95	23.85	29.00	33.40	36.80	48.10
33	17.40	17.40	24.40	29.35	33.80	37.85	49.50
34	17.85	17.85	25.05	30.00	34.80	38.90	50.95
35	18.30	18.30	25.65	30.65	35.75	39.95	52.40
36	18.75	18.75	26.25	31.30	36.70	41.05	53.85
37	19.20	19.20	26.95	31.90	37.65	42.10	55.30
38	19.65	19.65	27.50	32.55	38.70	43.10	56.75
39	20.05	20.05	28.25	33.20	39.65	44.20	58.25
40	20.45	20.45	28.90	33.85	40.55	45.20	59.65
41	20.85	20.85	29.50	34.20	41.50	46.25	61.10
42	21.25	21.25	30.25	34.90	42.40	47.35	62.55
43	21.65	21.65	30.90	35.70	43.45	48.40	64.00
44	22.05	22.05	31.50	36.50	44.35	49.50	65.45
45	22.45	22.45	32.20	37.25	45.30	50.55	66.90
46	22.85	22.85	32.90	38.00	46.25	51.60	68.35
47	23.25	23.25	33.50	38.80	47.30	52.70	69.75
48	23.65	23.65	34.25	39.60	48.25	53.75	71.25
49	24.05	24.05	34.90	40.30	49.15	54.85	72.70
50	24.40	24.40	35.55	41.10	50.10	55.90	74.15
51	24.85	24.85	36.20	41.90	51.05	56.95	75.60
52	25.20	25.20	36.90	42.70	52.10	58.00	77.05
53	25.65	25.65	37.50	43.45	53.00	59.10	78.50
54	26.00	26.00	38.15	44.25	53.90	60.10	79.90
55	26.45	26.45	38.90	45.05	54.85	61.10	81.35
56	26.80	26.80	39.50	45.75	55.90	62.20	82.85
57	27.25	27.25	40.15	46.50	56.80	63.25	84.30
58	27.60	27.60	40.85	47.30	57.75	64.30	85.70
59	28.05	28.05	41.50	48.10	58.70	65.35	87.20
60	28.40	28.40	42.15	48.90	59.70	66.40	88.65
61	28.85	28.85	42.90	49.65	60.70	67.45	90.10
62	29.20	29.20	43.50	50.45	61.60	68.50	91.50
63	29.65	29.65	44.20	51.25	62.55	69.55	92.95
64	30.00	30.00	44.85	52.05	63.50	70.55	94.45
65	30.45	30.45	45.45	52.70	64.50	71.65	95.90
66	30.80	30.80	46.15	53.50	65.40	72.70	97.30
67	31.25	31.25	46.90	54.30	66.35	73.70	98.80
68	31.60	31.60	47.50	55.10	67.30	74.80	100.20
69	32.05	32.05	48.15	55.90	68.30	75.85	101.65
70	32.45	32.45	48.90	56.65	69.25	76.90	103.10

Priority Mail Flat-Rate Envelope

The Priority Mail flat-rate envelope is \$4.60 to any U.S. destination regardless of the actual weight of the piece.



Priority Mail Flat-Rate Boxes

Priority Mail Flat-Rate Boxes are \$8.95 to any U.S. destination regardless of the actual weight of the piece. They are available in two convenient shapes.



Click-N-Ship

Use Click-N-Ship[®] service at www.usps.com to print Priority Mail shipping labels with postage and get free Delivery Confirmation[™] service.

Postage Rate Calculator

To compute Priority Mail or any postage rate, visit www.usps.com and click on "Calculate Postage."

Zone Charts

For zone charts, visit Postal Explorer[®] at pe.usps.com and click on "Zone Charts" in the left frame.

1. Parcels addressed for delivery to zones 1–4 (including local) that weigh less than 20 pounds but measure more than 84 inches in combined length and girth (but not more than 108 inches) are charged the applicable rate for a 20-pound parcel (balloon rate).
2. Parcels addressed for delivery to zones 5–8 that exceed 1 cubic foot (1,728 cubic inches) are charged based on the actual weight or the dimensional weight (as calculated in DMM 123.1.4), whichever is greater.
3. Keys and identification devices that weigh:
 - Up to 13 ounces, refer to First-Class Mail Retail parcel rates.
 - More than 13 ounces but not more than 1 pound, \$5.30.
 - More than 1 pound but not more than 2 pounds, \$6.00.

Media Mail

Weight Not Over (pounds)	Single-Piece ¹	5-Digit	Basic ¹
1	\$2.13	\$1.30	\$1.80
2	2.47	1.64	2.14
3	2.81	1.98	2.48
4	3.15	2.32	2.82
5	3.49	2.66	3.16
6	3.83	3.00	3.50
7	4.17	3.34	3.84
8	4.51	3.68	4.18
9	4.85	4.02	4.52
10	5.19	4.36	4.86
11	5.53	4.70	5.20
12	5.87	5.04	5.54
13	6.21	5.38	5.88
14	6.55	5.72	6.22
15	6.89	6.06	6.56
16	7.23	6.40	6.90
17	7.57	6.74	7.24
18	7.91	7.08	7.58
19	8.25	7.42	7.92
20	8.59	7.76	8.26
21	8.93	8.10	8.60
22	9.27	8.44	8.94
23	9.61	8.78	9.28
24	9.95	9.12	9.62
25	10.29	9.46	9.96
26	10.63	9.80	10.30
27	10.97	10.14	10.64
28	11.31	10.48	10.98
29	11.65	10.82	11.32
30	11.99	11.16	11.66
31	12.33	11.50	12.00
32	12.67	11.84	12.34
33	13.01	12.18	12.68
34	13.35	12.52	13.02
35	13.69	12.86	13.36
36	14.03	13.20	13.70
37	14.37	13.54	14.04
38	14.71	13.88	14.38
39	15.05	14.22	14.72
40	15.39	14.56	15.06
41	15.73	14.90	15.40
42	16.07	15.24	15.74
43	16.41	15.58	16.08
44	16.75	15.92	16.42
45	17.09	16.26	16.76
46	17.43	16.60	17.10
47	17.77	16.94	17.44
48	18.11	17.28	17.78
49	18.45	17.62	18.12
50	18.79	17.96	18.46
51	19.13	18.30	18.80
52	19.47	18.64	19.14
53	19.81	18.98	19.48
54	20.15	19.32	19.82
55	20.49	19.66	20.16
56	20.83	20.00	20.50
57	21.17	20.34	20.84
58	21.51	20.68	21.18
59	21.85	21.02	21.52
60	22.19	21.36	21.86
61	22.53	21.70	22.20
62	22.87	22.04	22.54
63	23.21	22.38	22.88
64	23.55	22.72	23.22
65	23.89	23.06	23.56
66	24.23	23.40	23.90
67	24.57	23.74	24.24
68	24.91	24.08	24.58
69	25.25	24.42	24.92
70	25.59	24.76	25.26

1. Machinable parcels may be eligible for the barcoded discount of \$0.03 per parcel (50-piece minimum).

Library Mail

Weight Not Over (pounds)	Single-Piece ¹	5-Digit	Basic ¹
1	\$2.02	\$1.24	\$1.71
2	2.34	1.56	2.03
3	2.66	1.88	2.35
4	2.98	2.20	2.67
5	3.30	2.52	2.99
6	3.62	2.84	3.31
7	3.94	3.16	3.63
8	4.26	3.48	3.95
9	4.58	3.80	4.27
10	4.90	4.12	4.59
11	5.22	4.44	4.91
12	5.54	4.76	5.23
13	5.86	5.08	5.55
14	6.18	5.40	5.87
15	6.50	5.72	6.19
16	6.82	6.04	6.51
17	7.14	6.36	6.83
18	7.46	6.68	7.15
19	7.78	7.00	7.47
20	8.10	7.32	7.79
21	8.42	7.64	8.11
22	8.74	7.96	8.43
23	9.06	8.28	8.75
24	9.38	8.60	9.07
25	9.70	8.92	9.39
26	10.02	9.24	9.71
27	10.34	9.56	10.03
28	10.66	9.88	10.35
29	10.98	10.20	10.67
30	11.30	10.52	10.99
31	11.62	10.84	11.31
32	11.94	11.16	11.63
33	12.26	11.48	11.95
34	12.58	11.80	12.27
35	12.90	12.12	12.59
36	13.22	12.44	12.91
37	13.54	12.76	13.23
38	13.86	13.08	13.55
39	14.18	13.40	13.87
40	14.50	13.72	14.19
41	14.82	14.04	14.51
42	15.14	14.36	14.83
43	15.46	14.68	15.15
44	15.78	15.00	15.47
45	16.10	15.32	15.79
46	16.42	15.64	16.11
47	16.74	15.96	16.43
48	17.06	16.28	16.75
49	17.38	16.60	17.07
50	17.70	16.92	17.39
51	18.02	17.24	17.71
52	18.34	17.56	18.03
53	18.66	17.88	18.35
54	18.98	18.20	18.67
55	19.30	18.52	18.99
56	19.62	18.84	19.31
57	19.94	19.16	19.63
58	20.26	19.48	19.95
59	20.58	19.80	20.27
60	20.90	20.12	20.59
61	21.22	20.44	20.91
62	21.54	20.76	21.23
63	21.86	21.08	21.55
64	22.18	21.40	21.87
65	22.50	21.72	22.19
66	22.82	22.04	22.51
67	23.14	22.36	22.83
68	23.46	22.68	23.15
69	23.78	23.00	23.47
70	24.10	23.32	23.79

1. Machinable parcels may be eligible for the barcoded discount of \$0.03 per parcel (50-piece minimum).

Bound Printed Matter

Nonpresorted Flats

Weight Not Over (pounds) ¹	Zone						
	1 & 2	3	4	5	6	7	8
1.0	\$1.96	\$2.01	\$2.07	\$2.14	\$2.22	\$2.29	\$2.46
1.5	1.96	2.01	2.07	2.14	2.22	2.29	2.46
2.0	2.05	2.11	2.19	2.29	2.39	2.49	2.71
2.5	2.14	2.22	2.32	2.44	2.57	2.69	2.97
3.0	2.23	2.32	2.44	2.59	2.74	2.89	3.22
3.5	2.32	2.43	2.57	2.74	2.92	3.09	3.48
4.0	2.41	2.53	2.69	2.89	3.09	3.29	3.73
4.5	2.50	2.64	2.82	3.04	3.27	3.49	3.99
5.0	2.59	2.74	2.94	3.19	3.44	3.69	4.24
6.0	2.77	2.95	3.19	3.49	3.79	4.09	4.75
7.0	2.95	3.16	3.44	3.79	4.14	4.49	5.26
8.0	3.13	3.37	3.69	4.09	4.49	4.89	5.77
9.0	3.31	3.58	3.94	4.39	4.84	5.29	6.28
10.0	3.49	3.79	4.19	4.69	5.19	5.69	6.79
11.0	3.67	4.00	4.44	4.99	5.54	6.09	7.30
12.0	3.85	4.21	4.69	5.29	5.89	6.49	7.81
13.0	4.03	4.42	4.94	5.59	6.24	6.89	8.32
14.0	4.21	4.63	5.19	5.89	6.59	7.29	8.83
15.0	4.39	4.84	5.44	6.19	6.94	7.69	9.34

Nonpresorted Bound Printed Matter is not available in postal retail outlets. It is only available to mailers who can affix the correct postage using stamps, postage meter, or PC Postage.

1. For barcode discount, deduct \$0.03 per piece (automation-compatible flats only, 50-piece minimum).

Nonpresorted Parcels

Weight Not Over (pounds) ¹	Zone						
	1 & 2	3	4	5	6	7	8
1.0	\$2.12	\$2.17	\$2.23	\$2.30	\$2.38	\$2.45	\$2.62
1.5	2.12	2.17	2.23	2.30	2.38	2.45	2.62
2.0	2.21	2.27	2.35	2.45	2.55	2.65	2.87
2.5	2.30	2.38	2.48	2.60	2.73	2.85	3.13
3.0	2.39	2.48	2.60	2.75	2.90	3.05	3.38
3.5	2.48	2.59	2.73	2.90	3.08	3.25	3.64
4.0	2.57	2.69	2.85	3.05	3.25	3.45	3.89
4.5	2.66	2.80	2.98	3.20	3.43	3.65	4.15
5.0	2.75	2.90	3.10	3.35	3.60	3.85	4.40
6.0	2.93	3.11	3.35	3.65	3.95	4.25	4.91
7.0	3.11	3.32	3.60	3.95	4.30	4.65	5.42
8.0	3.29	3.53	3.85	4.25	4.65	5.05	5.93
9.0	3.47	3.74	4.10	4.55	5.00	5.45	6.44
10.0	3.65	3.95	4.35	4.85	5.35	5.85	6.95
11.0	3.83	4.16	4.60	5.15	5.70	6.25	7.46
12.0	4.01	4.37	4.85	5.45	6.05	6.65	7.97
13.0	4.19	4.58	5.10	5.75	6.40	7.05	8.48
14.0	4.37	4.79	5.35	6.05	6.75	7.45	8.99
15.0	4.55	5.00	5.60	6.35	7.10	7.85	9.50

1. For barcode discount, deduct \$0.03 per piece (machinable parcels only, 50-piece minimum).

Bound Printed Matter

Discount Flats

Each piece is subject to both a piece rate and a pound rate. ¹		Carrier Route			Presorted ²		
		Rate per piece	+	Rate per pound	Rate per piece	+	Rate per pound
Zone	Local 1 & 2	\$1.178	+	\$0.122	\$1.289	+	\$0.122
	3	1.178	+	0.148	1.289	+	0.148
	4	1.178	+	0.195	1.289	+	0.195
	5	1.178	+	0.249	1.289	+	0.249
	6	1.178	+	0.311	1.289	+	0.311
	7	1.178	+	0.359	1.289	+	0.359
	8	1.178	+	0.477	1.289	+	0.477
	<i>Destination Entry</i>						
	1 & 2	\$0.861	+	\$0.086	\$0.972	+	\$0.086
DBMC	3	0.861	+	0.124	0.972	+	0.124
Zone	4	0.861	+	0.164	0.972	+	0.164
	5	0.861	+	0.218	0.972	+	0.218
DSCF		0.478	+	0.083	0.589	+	0.083
DDU		0.394	+	0.040	0.505 ³	+	0.040

1. Multiply the number of pounds in the mailing by the rate per pound. Multiply the number of pieces in the mailing by the rate per piece. Add both totals.
2. For the barcode discount, deduct \$0.03 per piece (automation-compatible flats only). Barcode discount not available for pieces mailed at presorted DDU rates.
3. Each flat must weigh more than 1 pound to be eligible for the presorted DDU rate.

Discount Parcels

Each piece is subject to both a piece rate and a pound rate. ¹		Carrier Route			Presorted ²		
		Rate per piece	+	Rate per pound	Rate per piece	+	Rate per pound
Zone	Local, 1 & 2	\$1.336	+	\$0.122	\$1.447	+	\$0.122
	3	1.336	+	0.148	1.447	+	0.148
	4	1.336	+	0.195	1.447	+	0.195
	5	1.336	+	0.249	1.447	+	0.249
	6	1.336	+	0.311	1.447	+	0.311
	7	1.336	+	0.359	1.447	+	0.359
	8	1.336	+	0.477	1.447	+	0.477
	<i>Destination Entry</i>						
	1 & 2	\$1.019	+	\$0.086	\$1.130	+	\$0.086
DBMC	3	1.019	+	0.124	1.130	+	0.124
Zone	4	1.019	+	0.164	1.130	+	0.164
	5	1.019	+	0.218	1.130	+	0.218
DSCF		\$0.636	+	\$0.083	\$0.747	+	\$0.083
DDU		0.552	+	0.040	0.663	+	0.040

1. Multiply the number of pounds in the mailing by the rate per pound. Multiply the number of pieces in the mailing by the rate per piece. Add both totals.
2. Machinable presorted parcels may be eligible for the barcoded discount of \$0.03 per parcel (50-piece minimum), except for parcels mailed at presorted DDU or DSCF rates.

Extra Services and Fees

BUSINESS REPLY AND QUALIFIED BUSINESS REPLY MAIL

Business Reply Mail® (BRM)

	High Volume	Basic
Annual permit fee	\$175.00	\$175.00
Annual account maintenance fee	550.00	None
1-ounce letter rate + per piece ¹	0.41 + 0.08	0.41 + 0.70
1-ounce flat rate + per piece ¹	0.80 + 0.08	0.80 + 0.70
1-ounce parcel rate + per piece ¹	1.13 + 0.08	1.13 + 0.70
Card rate + per piece	0.26 + 0.08	0.26 + 0.70

Qualified Business Reply Mail (QBRM)

	High Volume	Basic
Annual permit fee	\$175.00	\$175.00
Annual account maintenance fee	550.00	550.00
Quarterly fee	1,800.00	None
1-ounce letter rate + per piece ²	0.380 + 0.005	0.380 + 0.05
Card rate + per piece	0.230 + 0.005	0.230 + 0.05

- \$0.17 each additional ounce: use Priority Mail rates for flats and parcels over 13 ounces.
- Second ounce or fraction—\$0.17.

CALLER SERVICE

For each separation provided, per semiannual (6 month) period.
For each reserved call number, per calendar year—\$38.00.

Fee Group	Fee
1	\$630.00
2	550.00
3	485.00
4	475.00
5	465.00
6	415.00
7	370.00

CERTIFIED MAIL

Fee—\$2.65

COLLECT ON DELIVERY (COD)

Amount to be collected or insurance coverage desired, whichever is higher¹ Fee

\$0.01 to \$50	\$5.10
50.01 to 100	6.25
100.01 to 200	7.40
200.01 to 300	8.55
300.01 to 400	9.70
400.01 to 500	10.85
500.01 to 600	12.00
600.01 to 700	13.15
700.01 to 800	14.30
800.01 to 900	15.45
900.01 to 1,000	16.60

Restricted delivery ²	\$4.10
Notice of nondelivery	3.40
Alteration of COD charges or designation of new addressee	3.40
Registered COD ³	4.55

- For Express Mail COD shipments valued at \$100 or less, the COD fee charged is based on the amount to be collected. Express Mail insurance automatically provides up to \$100 merchandise insurance.
- Not available with Express Mail COD.
- Regardless of amount to be collected or insurance value.

CERTIFICATE OF MAILING

Individual Pieces	Fee
Individual article (Form 3817)	\$1.05
Duplicate copies of Form 3817 or mailing bill, per page	1.05
Firm mailing books (Form 3877), per article listed (min. 3)	0.35

Bulk Quantities	Fee
For first 1,000 pieces (or fraction thereof)	\$5.50
Each additional 1,000 pieces (or fraction thereof)	0.60
Duplicate copy of Form 3606	1.05

CONFIRM®

Subscription Level	Subscription Fee and Term	Additional ID Code Fee and Term	Additional Scans Fee and Number
Silver	\$2,000 3 months	\$750 quarterly \$2,000 annual	\$500 block of 2 million scans
Gold	\$6,000 12 months	\$750 quarterly \$2,000 annual	\$750 block of 6 million scans
Platinum	\$19,500 12 months	\$750 quarterly \$2,000 annual	NA

DELIVERY CONFIRMATION™

Service	Fee	Service	Fee
First-Class Mail¹		First-Class Mail¹	
Retail	\$0.75	Retail	\$2.10
Electronic	0.18	Electronic	1.75
Priority Mail		Priority Mail	
Retail	\$0.65	Retail	\$2.10
Electronic	0.00	Electronic	1.75
Package Services²		Package Services¹	
Retail	\$0.75	Retail	\$2.10
Electronic	0.18	Electronic	1.75
Standard Mail³			
Electronic	\$0.18		

- Available only for parcels.
- Available only for parcels. No charge for Parcel Select electronic option.
- Available only for Not Flat-Machinables and parcels.

INSURANCE

Merchandise Insurance Coverage Desired	Fee ¹
\$0.01 to \$50	\$1.65
50.01 to 100	2.05
100.01 to 200	2.45
200.01 to 300	4.60
300.01 to 400	5.50
400.01 to 500	6.40
500.01 to 600	7.30
600.01 to 5,000	\$7.30 plus \$0.90 for each \$100 or fraction over \$600 in declared value. (maximum liability is \$5,000)

- Bulk insurance discount \$0.80 per piece (see DMM 503.4.4).

EXPRESS MAIL INSURANCE

Merchandise Insurance Coverage Desired	Fee
\$0.01 to \$100.00	\$0.00
100.01 to 200.00	0.75
200.01 to 500.00	2.10
500.01 to 5,000.00	\$2.10 plus \$1.35 for each \$500 or fraction over \$500.

Express Mail merchandise maximum coverage: \$5,000.
Document reconstruction maximum liability: \$100.

Extra Services and Fees

MERCHANDISE RETURN SERVICE

Annual permit fee—\$175.00.
Annual account maintenance fee (for advance deposit account)—\$550.00.

MONEY ORDERS

Service	Fee
Domestic money order	
\$0.01 to \$500	\$1.05
500.01 to 1,000	1.50
Postal military money order (issued by military facilities)	0.30
Inquiry fee (includes the issuance of a copy of a paid money order)	5.00
Maximum amount per money order: \$1,000	

PARCEL AIRLIFT (PAL)

Weight Not More Than (pounds)	Fee
2	\$0.50
3	1.00
4	1.45
30	2.00

POST OFFICE BOX SERVICE

Per Semiannual (6-month) Period

Fee Group	Box Size and Fee				
	1	2	3	4	5
1	\$42.00	\$64.00	\$118.00	\$242.00	\$390.00
2	35.00	54.00	94.00	184.00	326.00
3	28.00	46.00	84.00	150.00	250.00
4	20.00	34.00	52.00	102.00	196.00
5	18.00	26.00	48.00	88.00	148.00
6	13.00	20.00	35.00	62.00	110.00
7	10.00	16.00	28.00	48.00	86.00
E ¹	0	0	0	0	0

1. Eligibility and location determined by USPS.

Deposit per key issued—\$1.00

Key duplication or replacement (after first two keys), each—\$6.00

Post Office box lock replacement, each—\$14.00

RESTRICTED DELIVERY

Fee, per item, in addition to postage and other fees—\$4.10

RETURN RECEIPT (In conjunction with another service)

Service	Fee
Requested at time of mailing (Form 3811, receive by mail)	\$2.15
Requested at time of mailing (receive electronically)	0.85
Requested after mailing (Form 3811-A, receive by fax, mail, or e-mail)	3.80

RETURN RECEIPT FOR MERCHANDISE (Form 3804)

Service	Fee
Requested at time of mailing	\$3.50

SPECIAL HANDLING

Weight (pounds)	Fee
Not more than 10	\$6.90
More than 10	9.60

REGISTERED MAIL™

Declared Value	Fee (in addition to postage) ¹
\$0.00	\$9.50
0.01 to \$100	10.15
100.01 to 500	11.25
500.01 to 1,000	12.35
1,000.01 to 2,000	13.45
2,000.01 to 3,000	14.55
3,000.01 to 4,000	15.65
4,000.01 to 5,000	16.75
5,000.01 to 6,000	17.85
6,000.01 to 7,000	18.95
7,000.01 to 8,000	20.05
8,000.01 to 9,000	21.15
9,000.01 to 10,000	22.25
10,000.01 to 11,000	23.35
11,000.01 to 12,000	24.45
12,000.01 to 13,000	25.55
13,000.01 to 14,000	26.65
14,000.01 to 15,000	27.75
15,000.01 to 16,000	28.85
16,000.01 to 17,000	29.95
17,000.01 to 18,000	31.05
18,000.01 to 19,000	32.15
19,000.01 to 20,000	33.25
20,000.01 to 21,000	34.35
21,000.01 to 22,000	35.45
22,000.01 to 23,000	36.55
23,000.01 to 24,000	37.65
24,000.01 to 25,000	38.75

Declared Value	Fee (in addition to postage) ¹
\$25,000.01 to \$15 million	\$38.75 plus \$1.10 handling charge for each \$1,000 or fraction over first \$25,000.
Over \$15 million	\$16,511.25 plus amount determined by USPS based on weight, space, and value.

1. Fees for articles valued over \$25,000 are for handling only. Maximum amount of insurance coverage available is \$25,000.

Additional Services

Return Receipts

Requested at time of mailing showing to whom, signature, date of delivery, and addressee's address (if different)—\$2.15

Requested at time of mailing (receive electronically)—\$0.85

Requested after mailing showing only to whom and date delivered—\$3.80

COD Collection Charge—\$4.55 (maximum amount collectible is \$1,000)

Restricted Delivery—\$4.10

ADDRESS CORRECTION SERVICE

Per manual notice issued—\$0.50

Per electronic notice (or manual notice for electronic option customers) issued:

 First-Class Mail—\$0.06

 Other than First-Class Mail—\$0.25

Per automated notice issued:

 First-Class Mail letters (first two notices)—\$0.00

 First-Class Mail letters (per additional notice)—\$0.05

 Standard Mail letters (first two notices)—\$0.02

 Standard Mail letters (per additional notice)—\$0.15

Miscellaneous Fees and Charges

ADDRESS SEQUENCING SERVICE

Per card removed by the USPS for an incorrect or undeliverable address or added for a missing or new address—\$0.33

ANNUAL MAILING FEES (per 12-month period)

First-Class Mail Presort, per office of mailing—\$175.00
 Standard Mail—\$175.00
 Parcel Select—\$175.00
 Presorted Media Mail—\$175.00
 Presorted Library Mail—\$175.00
 Bound Printed Matter (destination entry)—\$175.00
 Parcel Return Service—\$175.00

PERIODICALS APPLICATION FEES

Original entry—\$500.00
 Additional entry—\$75.00
 Reentry—\$55.00
 Registration for news agents—\$45.00

BULK PARCEL RETURN SERVICE

Annual permit fee—\$175.00
 Annual account maintenance fee—\$550.00
 Per piece returned, regardless of weight—\$2.10
 For Standard Mail machinable parcels only.

DETACHED ADDRESS LABELS

For Standard Mail Enhanced Carrier Route flats and parcels, per detached address label—\$0.015

MAILING LIST SERVICE

For correction of name and address on occupant lists, per name on list—\$0.33. Minimum per list (30 items)—\$9.90
 For sortation of mailing lists on cards by 5-digit ZIP Code, per 1,000 addresses or fraction—\$110.00
 For address changes provided to election boards and voter registration commissions, per Form 3575—\$0.32

PERMIT IMPRINT

Application fee—\$175

PICKUP SERVICE FEE

For Express Mail, Priority Mail, and Parcel Post:
 Per Pickup on Demand or Custom Designed delivery stop—\$14.25

PREMIUM FORWARDING SERVICE

Enrollment fee—\$10.00
 Weekly reshipment charge—\$11.95

REPOSITIONABLE NOTES

First-Class Mail letters and flats—\$0.005
 Periodicals letters and flats—\$0.015
 Standard Mail letters and flats—\$0.015

SHIPPER PAID FORWARDING

Annual account maintenance fee—\$550
 For Standard Mail machinable parcels and most Package Service parcels.

SURCHARGES

Parcel Post

Nonmachinable Intra-BMC/ASF—\$2.87
 Nonmachinable Inter-BMC/ASF—\$3.89

Parcel Select

Nonmachinable DBMC—\$2.14
 Nonmachinable DSCF sorted to 3-Digit ZIP Code areas—\$0.96

Postal Explorer® *pe.usps.com*

Your source for up-to-date business mailing information.

Publications

Mailing Standards of the United States Postal Service, Domestic Mail Manual (DMM®)
Quick Service Guides
 Customer Support Rulings
 Notice 123, *Ratefold*
Postal Addressing Standards
An Introduction to Mailing for Businesses and Organizations
International Mail Manual (IMM)
 Postage Statements

Retail and Business Rate Calculators—calculate domestic and international rates.

Zone Charts—access national Zone Charts.

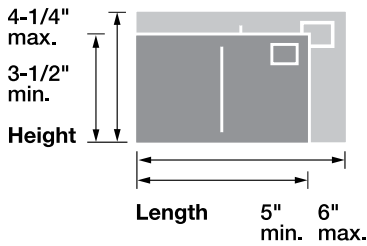
DMM Advisory—Message board to keep postal customers informed of changes to mailing standards, services, and prices.

Standard Mail Eligibility—Easy-to-use decision tree to help determine Standard Mail eligibility.

First-Class Mail—Single-Piece Rates

SHAPE	SIZE		RATE
-------	------	--	------

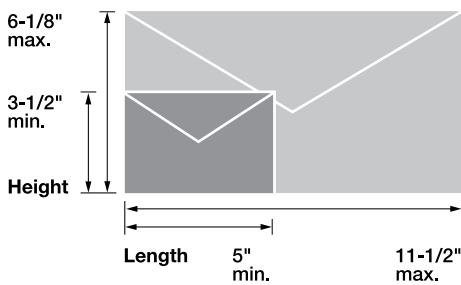
Postcards



	minimum	maximum
length	5 inches	6 inches
height	3-1/2 inches	4-1/4 inches
thickness	0.007 inch	0.016 inch

Rate
\$0.26

Letters

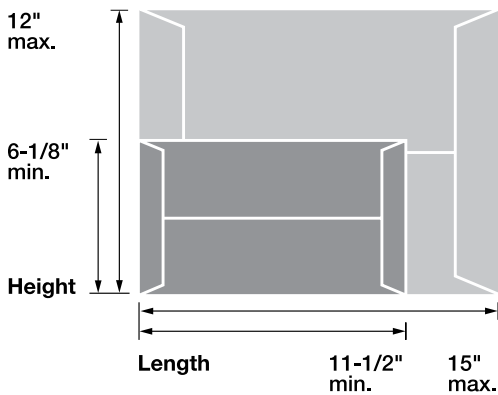


	minimum	maximum
length	5 inches	11-1/2 inches
height	3-1/2 inches	6-1/8 inches
thickness	0.007 inch	1/4 inch

Weight Not Over (ounces)	Rate
1	\$0.41
2	0.58
3	0.75
3.5	0.92

Letters that meet one or more of the nonmachinable characteristics in DMM 101.1.2 are subject to the \$0.17 nonmachinable surcharge.

Large Envelopes (Flats)

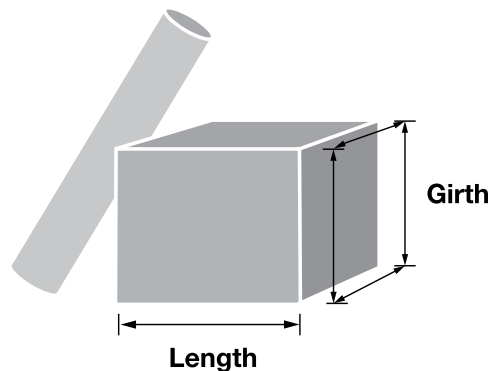


	minimum*	maximum
length	11-1/2 inches	15 inches
height	6-1/8 inches	12 inches
thickness	1/4 inch	3/4 inch

Weight Not Over (ounces)	Rate
1	\$0.80
2	0.97
3	1.14
4	1.31
5	1.48
6	1.65
7	1.82
8	1.99
9	2.16
10	2.33
11	2.50
12	2.67
13	2.84

* Flats exceed at least one of these dimensions. Pieces that are rigid, nonrectangular, or not uniformly thick pay package rates.

Packages



length + girth
length + girth cannot exceed 108 inches (Parcel Post cannot exceed 130 inches)
length the longest side of the package
girth measurement around the thickest part (perpendicular to the length).

Weight Not Over (ounces)	Rate
1	\$1.13
2	1.30
3	1.47
4	1.64
5	1.81
6	1.98
7	2.15
8	2.32
9	2.49
10	2.66
11	2.83
12	3.00
13	3.17