

Notice 123, RATEFOLD

Effective May 14, 2007

First-Class Mail®

One Ounce Letter	\$0.41
One Ounce Flat	0.80
One Ounce Parcel	1.13
Additional Ounce	0.17
Card Rate	0.26

Priority Mail®

Up to 1 Pound	\$4.60
Flat-Rate Envelope	4.60
Flat-Rate Boxes	8.95

Express Mail®*

Up to 1/2 Pound	\$16.25
Over 1/2 up to 1 Pound	19.50
Over 1 Pound to 2 Pounds	21.40
Flat-Rate Envelope	16.25

*PO to Addressee Service

First-Class Mail—Retail

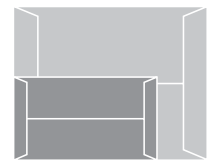
Weight Not Over (ounces)	Letters and Cards ¹	Large Envelopes ²	Packages ³
1	\$0.41	\$0.80	\$1.13
2	0.58	0.97	1.30
3	0.75	1.14	1.47
3.5	0.92 ⁴	1.31	1.64
4	—	1.31	1.64
5	—	1.48	1.81
6	—	1.65	1.98
7	—	1.82	2.15
8	—	1.99	2.32
9	—	2.16	2.49
10	—	2.33	2.66
11	—	2.50	2.83
12	—	2.67	3.00
13	—	2.84	3.17
Card Rate ⁵	\$0.26	—	—

- Letters that meet one or more of the nonmachinable characteristics in DMM 101.1.2 are subject to the \$0.17 nonmachinable surcharge.
- Pieces that are rigid, nonrectangular, or not uniformly thick pay parcel rates.
- For keys and identification devices, add \$0.70. If more than 13 ounces, see Priority Mail rates.
- For weights over 3.5 ounces, see large envelope (flat) rates.
- The card rate applies to each single or double postcard when originally mailed; reply half of double postcard must be designed for reply mail purposes only.



Letters

	minimum	maximum
Length	5 inches	11-1/2 inches
Height	3-1/2 inches	6-1/8 inches
Thickness	0.007 inch	1/4 inch



Large Envelopes (Flats)

	minimum*	maximum
Length	11-1/2 inches	15 inches
Height	6-1/8 inches	12 inches
Thickness	1/4 inch	3/4 inch

* Flats exceed at least one of these dimensions



Packages

Length	The longest side of the package.
Girth	Measurement around the thickest part (perpendicular to the length).
Length plus Girth	Cannot exceed 108 inches (Parcel Post cannot exceed 130 inches).

First-Class Mail—Discount Letters & Cards

Weight Not Over (ounces)	Automation				Nonautomation
	5-Digit	3-Digit	AADC	Mixed AADC	Presorted ¹
1	\$0.312	\$0.334	\$0.341	\$0.360	\$0.373
2	0.437	0.459	0.466	0.485	0.543
3	0.562	0.584	0.591	0.610	0.713
3.5	0.687	0.709	0.716	0.735	0.883 ²
Card Rate ³	\$0.191	\$0.204	\$0.208	\$0.220	\$0.241

- Letters that meet one or more of the nonmachinable characteristics in DMM 201.2.1 are subject to the \$0.17 nonmachinable surcharge.
- The maximum weight for machinable letter preparation is 3.3 ounces.
- The card rate applies to each single or double postcard when originally mailed; reply half of double postcard must be designed for reply mail purposes only.

First-Class Mail—Discount Flats

Weight Not Over (ounces) ¹	Automation				Nonautomation
	5-Digit	3-Digit	ADC	Mixed ADC	Presorted
1	\$0.383	\$0.484	\$0.567	\$0.686	\$0.699
2	0.553	0.654	0.737	0.856	0.869
3	0.723	0.824	0.907	1.026	1.039
4	0.893	0.994	1.077	1.196	1.209
5	1.063	1.164	1.247	1.366	1.379
6	1.233	1.334	1.417	1.536	1.549
7	1.403	1.504	1.587	1.706	1.719
8	1.573	1.674	1.757	1.876	1.889
9	1.743	1.844	1.927	2.046	2.059
10	1.913	2.014	2.097	2.216	2.229
11	2.083	2.184	2.267	2.386	2.399
12	2.253	2.354	2.437	2.556	2.569
13	2.423	2.524	2.607	2.726	2.739

- Flat-size pieces with certain characteristics (see DMM 301.1.3 through 1.5) are subject to the parcel rates.

First-Class Mail—Discount Parcels

Weight Not Over (ounces) ¹	Automation			
	5-Digit	3-Digit	ADC	Single-Piece ²
1	\$0.704	\$0.837	\$0.891	\$1.13
2	0.874	1.007	1.061	1.30
3	1.044	1.177	1.231	1.47
4	1.214	1.347	1.401	1.64
5	1.384	1.517	1.571	1.81
6	1.554	1.687	1.741	1.98
7	1.724	1.857	1.911	2.15
8	1.894	2.027	2.081	2.32
9	2.064	2.197	2.251	2.49
10	2.234	2.367	2.421	2.66
11	2.404	2.537	2.591	2.83
12	2.574	2.707	2.761	3.00
13	2.744	2.877	2.931	3.17

- A \$0.05 surcharge applies to pieces in 3-digit and ADC sacks that:
 - Do not bear a correct POSTNET or UCC/EAN Code 128 barcode (DMM 708.5).
 - Weigh less than 2 ounces.
 - Are irregularly shaped, such as tubes, rolls, and triangles.
- Use single-piece rate for mixed ADC sortation.

Priority Mail

Weight Not Over (pounds)	Zone ^{1, 2, 3}						
	Local, 1, & 2	3	4	5	6	7	8
1	\$4.60	\$4.60	\$4.60	\$4.60	\$4.60	\$4.60	\$4.60
2	4.60	4.90	5.30	6.20	6.55	7.00	7.50
3	5.05	5.70	6.40	8.25	9.10	9.65	10.55
4	5.70	6.65	7.70	10.20	11.10	12.20	13.45
5	6.30	7.55	8.90	11.90	12.90	14.35	15.85

Priority Mail Flat-Rate Envelope

The Priority Mail flat-rate envelope is \$4.60 to any U.S. destination regardless of the actual weight of the piece.



Priority Mail Flat-Rate Boxes

Priority Mail Flat-Rate Boxes are \$8.95 to any U.S. destination regardless of the actual weight of the piece. They are available in two convenient shapes.

Express Mail

Weight Not Over (pounds)	Custom Designed	Next Day & Second Day PO to PO	Next Day & Second Day PO to Addressee
0.5	\$14.15	\$13.85	\$16.25
1	17.40	17.10	19.50
2	19.30	19.00	21.40
3	22.40	22.10	24.50
4	25.50	25.20	27.60
5	28.60	28.30	30.70

Express Mail Flat-Rate Envelope

The Express Mail flat-rate envelope is \$16.25 for PO to Addressee service to any U.S. destination regardless of the actual weight of the piece.

1. Parcels addressed for delivery to zones 1–4 (including local) that weigh less than 20 pounds but measure more than 84 inches in combined length and girth (but not more than 108 inches) are charged the applicable rate for a 20-pound parcel (balloon rate).
2. Parcels addressed for delivery to zones 5–8 that exceed 1 cubic foot (1,728 cubic inches) are charged based on the actual weight or the dimensional weight (as calculated in DMM 123.1.4), whichever is greater.
3. Keys and identification devices that weigh:
 - Up to 13 ounces, refer to First-Class Mail Retail parcel rates.
 - More than 13 ounces but not more than 1 pound, \$5.30.
 - More than 1 pound but not more than 2 pounds, \$6.00.

Standard Mail Regular—Letters

Enhanced Carrier Route & Automation

Entry Discount		Enhanced Carrier Route (ECR) ¹			Automation			
		Saturation	High Density	Basic	5-Digit	3-Digit	AADC	Mixed AADC
Letters weighing 3.3 oz. or less	None	\$0.177	\$0.186	\$0.226	\$0.218	\$0.233	\$0.238	\$0.252
	DBMC	0.144	0.153	0.193	0.185	0.200	0.205	0.219
	DSCF	0.135	0.144	0.184	0.176	0.191	0.196	—
	per piece rate	—	—	—	—	—	—	—
more than 3.3 oz.²	None	\$0.621	\$0.621	\$0.621	\$0.739	\$0.739	\$0.739	\$0.739
	DBMC	0.462	0.462	0.462	0.580	0.580	0.580	0.580
	DSCF	0.418	0.418	0.418	0.536	0.536	0.536	—
	per pound rate	—	—	—	—	—	—	—
+		+	+	+	+	+	+	
per piece rate		0.049 ³	0.058 ³	0.098 ³	0.069 ³	0.084 ³	0.089 ³	0.103 ³

1. ECR letters that are not automation-compatible and barcoded (DMM 201.3) are available at the flat-size rates (DMM 243.6.4 or 243.6.5). Mailers may not pay ECR flat rates and claim DDU discounts for letter-size pieces.
2. For pieces weighing more than 3.3 ounces, each piece is subject to both a per piece rate and a per pound rate. Multiply the number of pieces in the mailing by the per piece rate. Multiply the number of pounds of the mailing by the per pound rate. Add both totals.
3. Per piece rate for ECR letters and automation letters that weigh more than 3.3 ounces but less than (or equal to) 3.5 ounces includes a discount that equals the applicable flat-size rate (3.3 ounces or less) minus the applicable letter piece rate (3.3 ounces or less).

Standard Mail Regular—Letters

Nonautomation

Entry Discount		Machinable		Nonmachinable ¹			
		AADC	Mixed AADC	5-Digit	3-Digit	ADC	Mixed ADC
Letters weighing 3.3 oz. or less	None	\$0.246	\$0.255	\$0.328	\$0.411	\$0.440	\$0.520
	DBMC	0.213	0.222	0.295	0.378	0.407	0.487
	DSCF	0.204	—	0.286	0.369	0.398	—
per piece rate	DDU	—	—	—	—	—	—

1. For pieces over 3.3 ounces, see Standard Mail Not Flat-Machinable rates.

Standard Mail Nonprofit—Letters Enhanced Carrier Route & Automation

Entry Discount		Enhanced Carrier Route (ECR) ¹			Automation			
		Saturation	High Density	Basic	5-Digit	3-Digit	AADC	Mixed AADC
Letters weighing 3.3 oz. or less	None	\$0.108	\$0.117	\$0.157	\$0.127	\$0.142	\$0.147	\$0.161
	DBMC	0.075	0.084	0.124	0.094	0.109	0.114	0.128
	DSCF	0.066	0.075	0.115	0.085	0.100	0.105	—
	DDU	—	—	—	—	—	—	—
per piece rate	None	\$0.432	\$0.432	\$0.432	\$0.622	\$0.622	\$0.622	\$0.622
	DBMC	0.273	0.273	0.273	0.463	0.463	0.463	0.463
	DSCF	0.229	0.229	0.229	0.419	0.419	0.419	—
	DDU	—	—	—	—	—	—	—
per pound rate	None	+	+	+	+	+	+	+
	DBMC	0.019 ³	0.028 ³	0.068 ³	0.001 ³	0.016 ³	0.021 ³	0.035 ³
	DSCF	—	—	—	—	—	—	—
	DDU	—	—	—	—	—	—	—
+ per piece rate	None	+	+	+	+	+	+	+
	DBMC	0.019 ³	0.028 ³	0.068 ³	0.001 ³	0.016 ³	0.021 ³	0.035 ³
	DSCF	—	—	—	—	—	—	—
	DDU	—	—	—	—	—	—	—

1. ECR letters that are not automation-compatible and barcoded (DMM 201.3) are mailable at the flat-size rate (DMM 243.6.4 or 243.6.5). Mailers may not pay ECR flat rates and claim DDU discounts for letter-size pieces.
2. For pieces weighing more than 3.3 ounces, each piece is subject to both a per piece rate and a per pound rate. Multiply the number of pieces in the mailing by the per piece rate. Multiply the number of pounds of the mailing by the per pound rate. Add both totals.
3. Per piece rate for ECR letters and automation letters that weigh more than 3.3 ounces but less than (or equal to) 3.5 ounces includes a discount that equals the applicable flat-size rate (3.3 ounces or less) minus the applicable letter piece rate (3.3 ounces or less).

Standard Mail Nonprofit—Letters Nonautomation

Entry Discount		Machinable		Nonmachinable ¹			
		AADC	Mixed AADC	5-Digit	3-Digit	ADC	Mixed ADC
Letters weighing 3.3 oz. or less	None	\$0.155	\$0.164	\$0.237	\$0.320	\$0.349	\$0.429
	DBMC	0.122	0.131	0.204	0.287	0.316	0.396
	DSCF	0.113	—	0.195	0.278	0.307	—
	DDU	—	—	—	—	—	—
per piece rate	None	—	—	—	—	—	—
	DBMC	—	—	—	—	—	—
	DSCF	—	—	—	—	—	—
	DDU	—	—	—	—	—	—

1. For pieces over 3.3 ounces, see Standard Mail Not Flat-Machinable rates.

Standard Mail Regular—Flats

		Enhanced Carrier Route (ECR) ^{1,2}			Automation ¹				Nonautomation ¹			
		Entry Discount	Saturation	High Density	Basic	5-Digit	3-Digit	ADC	Mixed ADC	5-Digit	3-Digit	ADC
Flats weighing 3.3 oz. or less	None	\$0.187	\$0.205	\$0.249	\$0.335	\$0.392	\$0.424	\$0.477	\$0.363	\$0.427	\$0.461	\$0.515
	DBMC	0.154	0.172	0.216	0.302	0.359	0.391	0.444	0.330	0.394	0.428	0.482
	DSCF	0.145	0.163	0.207	0.293	0.350	0.382	—	0.321	0.385	0.419	—
	DDU	0.136	0.154	0.198	—	—	—	—	—	—	—	—
per piece rate	None	\$0.621	\$0.621	\$0.621	\$0.739	\$0.739	\$0.739	\$0.739	\$0.739	\$0.739	\$0.739	\$0.739
	DBMC	0.462	0.462	0.462	0.580	0.580	0.580	0.580	0.580	0.580	0.580	0.580
	DSCF	0.418	0.418	0.418	0.536	0.536	0.536	—	0.536	0.536	0.536	—
	DDU	0.373	0.373	0.373	—	—	—	—	—	—	—	—
per pound rate												
+		+	+	+	+	+	+	+	+	+	+	
per piece rate		0.059	0.077	0.121	0.186	0.243	0.275	0.328	0.213	0.277	0.311	0.365

1. Flat-size pieces with certain characteristics (see DMM 301.1.3 through 1.5) are subject to Not Flat-Machinable or parcel rates.
2. For ECR flats with a detached address label, add \$0.015 per piece.
3. For pieces weighing more than 3.3 ounces, each piece is subject to both a per piece rate and a per pound rate. Multiply the number of pieces in the mailing by per piece rate. Multiply the number of pounds of the mailing by the per pound rate. Add both totals.

Standard Mail Nonprofit—Flats

		Enhanced Carrier Route (ECR) ^{1,2}			Automation ¹				Nonautomation ¹			
		Entry Discount	Saturation	High Density	Basic	5-Digit	3-Digit	ADC	Mixed ADC	5-Digit	3-Digit	ADC
Flats weighing 3.3 oz. or less	None	\$0.118	\$0.136	\$0.180	\$0.212	\$0.269	\$0.301	\$0.354	\$0.237	\$0.301	\$0.335	\$0.389
	DBMC	0.085	0.103	0.147	0.179	0.236	0.268	0.321	0.204	0.268	0.302	0.356
	DSCF	0.076	0.094	0.138	0.170	0.227	0.259	—	0.195	0.259	0.293	—
	DDU	0.067	0.085	0.129	—	—	—	—	—	—	—	—
per piece rate	None	\$0.432	\$0.432	\$0.432	\$0.622	\$0.622	\$0.622	\$0.622	\$0.622	\$0.622	\$0.622	\$0.622
	DBMC	0.273	0.273	0.273	0.463	0.463	0.463	0.463	0.463	0.463	0.463	0.463
	DSCF	0.229	0.229	0.229	0.419	0.419	0.419	—	0.419	0.419	0.419	—
	DDU	0.184	0.184	0.184	—	—	—	—	—	—	—	—
per pound rate												
+		+	+	+	+	+	+	+	+	+	+	
per piece rate		0.029	0.047	0.091	0.086	0.143	0.175	0.228	0.111	0.175	0.209	0.263

1. Flat-size pieces with certain characteristics (see DMM 301.1.3 through 1.5) are subject to Not Flat-Machinable or parcel rates.
2. For ECR flats with a detached address label, add \$0.015 per piece.
3. For pieces weighing more than 3.3 ounces, each piece is subject to both a per piece rate and a per pound rate. Multiply the number of pieces in the mailing by per piece rate. Multiply the number of pounds of the mailing by the per pound rate. Add both totals.

Standard Mail Regular—Parcels

		Enhanced Carrier Route (ECR) ²			Machinable ¹			Irregular ¹			
		Saturation	High Density	Basic	5-Digit	BMC	Mixed BMC	5-Digit	3-Digit	ADC	Mixed ADC
Parcels weighing 3.3 oz. or less	None	\$0.369	\$0.378	\$0.499	—	—	—	\$0.607	\$0.653	\$0.914	\$1.129
	DBMC	0.336	0.345	0.466	—	—	—	0.574	0.620	0.881	1.096
	DSCF	0.327	0.336	0.457	—	—	—	0.565	0.611	0.872	—
	per piece rate	DDU	0.318	0.327	0.448	—	—	—	0.556	—	—
more than 3.3 oz.³	None	\$0.621	\$0.621	\$0.621	\$0.739	\$0.739	\$0.739	\$0.739	\$0.739	\$0.739	\$0.739
	DBMC	0.462	0.462	0.462	0.580	0.580	—	0.580	0.580	0.580	0.580
	DSCF	0.418	0.418	0.418	0.536	—	—	0.536	0.536	0.536	—
	per pound rate	DDU	0.373	0.373	0.373	0.491	—	—	0.491	—	—
+		+	+	+	+	+	+	+	+	+	+
per piece rate		0.241	0.250	0.371	0.346	0.716	0.909	0.457	0.503	0.764	0.979

1. For nonbarcoded parcels, add \$0.05 per piece. The surcharge does not apply to pieces sorted to 5-digit ZIP Codes.
2. For ECR parcels with a detached address label, add \$0.015 per piece.
3. For pieces weighing more than 3.3 ounces, each piece is subject to both a per piece rate and a per pound rate. Multiply the number of pieces in the mailing by per piece rate. Multiply the number of pounds of the mailing by per pound rate. Add both totals.

Standard Mail Nonprofit—Parcels

		Enhanced Carrier Route (ECR) ²			Machinable ¹			Irregular ¹			
		Saturation	High Density	Basic	5-Digit	BMC	Mixed BMC	5-Digit	3-Digit	ADC	Mixed ADC
Parcels weighing 3.3 oz. or less	None	\$0.300	\$0.309	\$0.430	—	—	—	\$0.481	\$0.527	\$0.788	\$1.003
	DBMC	0.267	0.276	0.397	—	—	—	0.448	0.494	0.755	0.970
	DSCF	0.258	0.267	0.388	—	—	—	0.439	0.485	0.746	—
	per piece rate	DDU	0.249	0.258	0.379	—	—	—	0.430	—	—
more than 3.3 oz.³	None	\$0.432	\$0.432	\$0.432	\$0.622	\$0.622	\$0.622	\$0.622	\$0.622	\$0.622	\$0.622
	DBMC	0.273	0.273	0.273	0.463	0.463	—	0.463	0.463	0.463	0.463
	DSCF	0.229	0.229	0.229	0.419	—	—	0.419	0.419	0.419	—
	per pound rate	DDU	0.184	0.184	0.184	0.374	—	—	0.374	—	—
+		+	+	+	+	+	+	+	+	+	+
per piece rate		0.211	0.220	0.341	0.244	0.614	0.807	0.355	0.401	0.662	0.877

1. For nonbarcoded parcels, add \$0.05 per piece. The surcharge does not apply to pieces sorted to 5-digit ZIP Codes.
2. For ECR parcels with a detached address label, add \$0.015 per piece.
3. For pieces weighing more than 3.3 ounces, each piece is subject to both a per piece rate and a per pound rate. Multiply the number of pieces in the mailing by per piece rate. Multiply the number of pounds of the mailing by per pound rate. Add both totals.

Standard Mail Regular—Not Flat-Machinable

		Not Flat-Machinable ¹			
		5-Digit	3-Digit	ADC/ BMC	Mixed ADC/ Mixed BMC
Pieces weighing 3.3 oz. or less	None	\$0.460 ²	\$0.506	\$0.767	\$1.028
	DBMC	0.427	0.473	0.734	0.995
	DSCF	0.418	0.464	0.725	—
	per piece rate	DDU	0.409	—	—
more than 3.3 oz.³	None	\$0.739	\$0.739	\$0.739	\$0.739
	DBMC	0.580	0.580	0.580	0.580
	DSCF	0.536	0.536	0.536	—
	per pound rate	DDU	0.491	—	—
	+	+	+	+	
per piece rate		0.310	0.356	0.617	0.878

1. For nonbarcoded pieces, add \$0.05 per piece. The surcharge does not apply to pieces sorted to 5-digit ZIP Codes.
2. Customized MarketMail® pieces pay \$0.460 per piece.
3. For pieces weighing more than 3.3 ounces, each piece is subject to both a per piece rate and a per pound rate. Multiply the number of pieces in the mailing by the per piece rate. Multiply the number of pounds of the mailing by the per pound rate. Add both totals.

Standard Mail Nonprofit—Not Flat-Machinable

		Not Flat-Machinable ¹			
		5-Digit	3-Digit	ADC/ BMC	Mixed ADC/ Mixed BMC
Pieces weighing 3.3 oz. or less	None	\$0.334 ²	\$0.380	\$0.641	\$0.902
	DBMC	0.301	0.347	0.608	0.869
	DSCF	0.292	0.338	0.599	—
	per piece rate	DDU	0.283	—	—
more than 3.3 oz.³	None	\$0.622	\$0.622	\$0.622	\$0.622
	DBMC	0.463	0.463	0.463	0.463
	DSCF	0.419	0.419	0.419	—
	per pound rate	DDU	0.374	—	—
	+	+	+	+	
per piece rate		0.208	0.254	0.515	0.776

1. For nonbarcoded pieces, add \$0.05 per piece. The surcharge does not apply to pieces sorted to 5-digit ZIP Codes.
2. Customized MarketMail® pieces pay \$0.334 per piece.
3. For pieces weighing more than 3.3 ounces, each piece is subject to both a per piece rate and a per pound rate. Multiply the number of pieces in the mailing by the per piece rate. Multiply the number of pounds of the mailing by the per pound rate. Add both totals.

Periodicals (Rates Effective July 15, 2007)

Outside-County

Pound Rates—per pound or fraction

Advertising Portion			Nonadvertising Portion		
Zone	Regular Rate	Science-of-Agriculture	Zone	Regular Rate	Science-of-Agriculture
DDU	\$0.160	\$0.120	DDU	\$0.133	\$0.133
DSCF	0.209	0.157	DSCF	0.174	0.174
DADC	0.219	0.164	DADC	0.182	0.182
1 & 2	0.239	0.179	Other	0.199	0.199
3	0.257	0.257			
4	0.303	0.303			
5	0.372	0.372			
6	0.446	0.446			
7	0.534	0.534			
8	0.610	0.610			

Preferred Rate Discount: Authorized nonprofit and classroom mailers receive a discount of 5% off the total Outside-County postage excluding the postage for advertising pounds. The 5% discount does not apply to commingled nonsubscriber copies in excess of the 10% allowance provided under DMM 707.7.

Outside-County and In-County Ride-Along Rate—per Ride-Along piece: \$0.155

Piece Rates—per addressed piece

Bundle Level	Letters		Machinable Flats		Nonmachinable Flats & Parcels	
	Barcoded	Nonbarcoded	Barcoded	Nonbarcoded	Barcoded	Nonbarcoded
5-Digit	\$0.211	\$0.276	\$0.268	\$0.276	\$0.285	\$0.289
3-Digit/SCF	0.275	0.348	0.331	0.348	0.362	0.373
ADC	0.289	0.370	0.350	0.370	0.412	0.432
MXD ADC	0.327	0.431	0.404	0.431	0.504	0.534

Firm—\$0.169

All Carrier Route pieces: Saturation—\$0.131; High Density—\$0.149; Basic—\$0.169

Nonadvertising adjustment factor for each 1% of nonadvertising content: \$0.00091

Bundle Rates—per bundle

Bundle Level	Container Level			
	CR/5-Digit	3-Digit/SCF	ADC	MXD ADC
Firm	\$0.027	\$0.045	\$0.048	\$0.079
Carrier Route	0.039	0.095	0.104	—
5-Digit	0.008	0.084	0.095	0.161
3-Digit/SCF	—	0.039	0.063	0.134
ADC	—	—	0.038	0.129
MXD ADC	—	—	—	0.100

Container Rates—per pallet, sack, or tray

Entry	Pallet			Tray/Sack			
	5-Digit	3-Digit/SCF	ADC	CR/5-Digit	3-Digit/SCF	ADC	MXD ADC
Destination Delivery Unit	\$1.20	—	—	\$0.70	—	—	—
Destination SCF	8.00	\$6.70	—	0.90	\$0.60	—	—
Destination ADC	15.50	12.20	\$8.90	1.30	1.00	\$0.60	—
Destination BMC	17.50	14.40	13.00	1.50	1.20	1.10	—
Origin	26.95	22.98	18.61	2.24	1.90	1.80	\$0.42

In-County

Pound Rates—per pound or fraction

Zone	Rate
Destination Delivery Unit	\$0.132
All other zones	0.171

Piece Rates—per addressed piece

Presort Level	Automation		Nonautomation
	Letters	Flats	Letters, Flats, & Parcels
Carrier Route			
<i>Saturation</i>	—	—	\$0.028
<i>High Density</i>	—	—	0.041
<i>Basic</i>	—	—	0.056
5-Digit	\$0.044	\$0.093	0.098
3-Digit	0.046	0.099	0.110
Basic	0.055	0.107	0.122

Destination delivery unit (DDU) discount for each addressed piece: \$0.008

Parcel Post—Local and Intra-BMC/ASF

Machinable ^{1, 2, 3, 4}					Weight Not Over (pounds)	Nonmachinable ^{1, 2, 4, 5}				
Zone						Zone				
Local	1 & 2	3	4	5		Local	1 & 2	3	4	5
\$3.42	\$3.67	\$3.70	\$3.78	\$3.96	1	\$6.29	\$6.54	\$6.57	\$6.65	\$6.83
3.80	4.34	4.38	4.47	4.72	2	6.67	7.21	7.25	7.34	7.59
4.15	4.96	5.00	5.11	5.46	3	7.02	7.83	7.87	7.98	8.33
4.47	5.37	5.58	5.69	6.13	4	7.34	8.24	8.45	8.56	9.00
4.76	5.74	6.07	6.21	6.76	5	7.63	8.61	8.94	9.08	9.63

To compute Parcel Post rates, go to Postal Explorer at pe.usps.com and click on "Retail/Single Piece" or "Discount/Bulk" under Rate Calculators in the left frame. For zone charts, click on "Zone Charts."

Parcel Post—Inter-BMC/ASF

Machinable ^{1, 2, 3, 4, 6, 7}							Weight Not Over (pounds)	Nonmachinable ^{1, 2, 4, 5, 6, 7}						
Zone								Zone						
1 & 2	3	4	5	6	7	8		1 & 2	3	4	5	6	7	8
\$4.38	\$4.50	\$4.50	\$4.50	\$4.50	\$4.50	\$4.50	1	\$8.27	\$8.39	\$8.39	\$8.39	\$8.39	\$8.39	\$8.39
4.50	4.80	5.20	5.67	6.00	6.15	6.15	2	8.39	8.69	9.09	9.56	9.89	10.04	10.04
4.95	5.60	6.30	7.02	7.05	7.33	7.93	3	8.84	9.49	10.19	10.91	10.94	11.22	11.82
5.60	6.55	7.47	7.78	8.04	8.45	9.25	4	9.49	10.44	11.36	11.67	11.93	12.34	13.14
6.20	7.45	8.23	8.59	8.98	9.50	10.50	5	10.09	11.34	12.12	12.48	12.87	13.39	14.39

Parcel Post—Parcel Select

Machinable ^{1, 2}						Weight Not Over (pounds)	Nonmachinable ^{1, 2}						
DBMC/ASF Zone							DSCF			DBMC/ASF Zone ⁴			
DDU	DSCF	1 & 2	3	4	5		DDU	5-Digit	3-Digit ³	1 & 2	3	4	5
\$1.40	\$1.90	\$2.38	\$2.72	\$3.05	\$3.91	1	\$1.40	\$1.90	\$2.86	\$4.52	\$4.86	\$5.19	\$6.05
1.47	2.11	2.68	3.35	3.99	4.67	2	1.47	2.11	3.07	4.82	5.49	6.13	6.81
1.52	2.30	2.96	3.95	4.85	5.41	3	1.52	2.30	3.26	5.10	6.09	6.99	7.55
1.58	2.47	3.24	4.52	5.58	6.08	4	1.58	2.47	3.43	5.38	6.66	7.72	8.22
1.63	2.63	3.49	5.05	6.10	6.71	5	1.63	2.63	3.59	5.63	7.19	8.24	8.85

Media Mail

Weight Not Over (pounds)	Single-Piece ¹	5-Digit	Basic ¹
1	\$2.13	\$1.30	\$1.80
2	2.47	1.64	2.14
3	2.81	1.98	2.48
4	3.15	2.32	2.82
5	3.49	2.66	3.16

Library Mail

Weight Not Over (pounds)	Single-Piece ¹	5-Digit	Basic ¹
1	\$2.02	\$1.24	\$1.71
2	2.34	1.56	2.03
3	2.66	1.88	2.35
4	2.98	2.20	2.67
5	3.30	2.52	2.99

Bound Printed Matter

Nonpresorted Flats

Weight Not Over (pounds) ¹	Zone						
	1 & 2	3	4	5	6	7	8
1.0	\$1.96	\$2.01	\$2.07	\$2.14	\$2.22	\$2.29	\$2.46
1.5	1.96	2.01	2.07	2.14	2.22	2.29	2.46
2.0	2.05	2.11	2.19	2.29	2.39	2.49	2.71
2.5	2.14	2.22	2.32	2.44	2.57	2.69	2.97
3.0	2.23	2.32	2.44	2.59	2.74	2.89	3.22
3.5	2.32	2.43	2.57	2.74	2.92	3.09	3.48
4.0	2.41	2.53	2.69	2.89	3.09	3.29	3.73
4.5	2.50	2.64	2.82	3.04	3.27	3.49	3.99
5.0	2.59	2.74	2.94	3.19	3.44	3.69	4.24
6.0	2.77	2.95	3.19	3.49	3.79	4.09	4.75
7.0	2.95	3.16	3.44	3.79	4.14	4.49	5.26
8.0	3.13	3.37	3.69	4.09	4.49	4.89	5.77
9.0	3.31	3.58	3.94	4.39	4.84	5.29	6.28
10.0	3.49	3.79	4.19	4.69	5.19	5.69	6.79
11.0	3.67	4.00	4.44	4.99	5.54	6.09	7.30
12.0	3.85	4.21	4.69	5.29	5.89	6.49	7.81
13.0	4.03	4.42	4.94	5.59	6.24	6.89	8.32
14.0	4.21	4.63	5.19	5.89	6.59	7.29	8.83
15.0	4.39	4.84	5.44	6.19	6.94	7.69	9.34

Nonpresorted Bound Printed Matter is not available in postal retail outlets. It is only available to mailers who can affix the correct postage using stamps, postage meter, or PC Postage.

1. For barcode discount, deduct \$0.03 per piece (automation-compatible flats only, 50-piece minimum).

Nonpresorted Parcels

Weight Not Over (pounds) ¹	Zone						
	1 & 2	3	4	5	6	7	8
1.0	\$2.12	\$2.17	\$2.23	\$2.30	\$2.38	\$2.45	\$2.62
1.5	2.12	2.17	2.23	2.30	2.38	2.45	2.62
2.0	2.21	2.27	2.35	2.45	2.55	2.65	2.87
2.5	2.30	2.38	2.48	2.60	2.73	2.85	3.13
3.0	2.39	2.48	2.60	2.75	2.90	3.05	3.38
3.5	2.48	2.59	2.73	2.90	3.08	3.25	3.64
4.0	2.57	2.69	2.85	3.05	3.25	3.45	3.89
4.5	2.66	2.80	2.98	3.20	3.43	3.65	4.15
5.0	2.75	2.90	3.10	3.35	3.60	3.85	4.40
6.0	2.93	3.11	3.35	3.65	3.95	4.25	4.91
7.0	3.11	3.32	3.60	3.95	4.30	4.65	5.42
8.0	3.29	3.53	3.85	4.25	4.65	5.05	5.93
9.0	3.47	3.74	4.10	4.55	5.00	5.45	6.44
10.0	3.65	3.95	4.35	4.85	5.35	5.85	6.95
11.0	3.83	4.16	4.60	5.15	5.70	6.25	7.46
12.0	4.01	4.37	4.85	5.45	6.05	6.65	7.97
13.0	4.19	4.58	5.10	5.75	6.40	7.05	8.48
14.0	4.37	4.79	5.35	6.05	6.75	7.45	8.99
15.0	4.55	5.00	5.60	6.35	7.10	7.85	9.50

1. For barcode discount, deduct \$0.03 per piece (machinable parcels only, 50-piece minimum).

Bound Printed Matter

Discount Flats

Each piece is subject to both a piece rate and a pound rate. ¹		Carrier Route			Presorted ²		
		Rate per piece	+	Rate per pound	Rate per piece	+	Rate per pound
Zone	Local 1 & 2	\$1.178	+	\$0.122	\$1.289	+	\$0.122
	3	1.178	+	0.148	1.289	+	0.148
	4	1.178	+	0.195	1.289	+	0.195
	5	1.178	+	0.249	1.289	+	0.249
	6	1.178	+	0.311	1.289	+	0.311
	7	1.178	+	0.359	1.289	+	0.359
	8	1.178	+	0.477	1.289	+	0.477
	<i>Destination Entry</i>						
	1 & 2	\$0.861	+	\$0.086	\$0.972	+	\$0.086
DBMC	3	0.861	+	0.124	0.972	+	0.124
Zone	4	0.861	+	0.164	0.972	+	0.164
	5	0.861	+	0.218	0.972	+	0.218
DSCF		0.478	+	0.083	0.589	+	0.083
DDU		0.394	+	0.040	0.505 ³	+	0.040

1. Multiply the number of pounds in the mailing by the rate per pound. Multiply the number of pieces in the mailing by the rate per piece. Add both totals.
2. For the barcode discount, deduct \$0.03 per piece (automation-compatible flats only). Barcode discount not available for pieces mailed at presorted DDU rates.
3. Each flat must weigh more than 1 pound to be eligible for the presorted DDU rate.

Discount Parcels

Each piece is subject to both a piece rate and a pound rate. ¹		Carrier Route			Presorted ²		
		Rate per piece	+	Rate per pound	Rate per piece	+	Rate per pound
Zone	Local, 1 & 2	\$1.336	+	\$0.122	\$1.447	+	\$0.122
	3	1.336	+	0.148	1.447	+	0.148
	4	1.336	+	0.195	1.447	+	0.195
	5	1.336	+	0.249	1.447	+	0.249
	6	1.336	+	0.311	1.447	+	0.311
	7	1.336	+	0.359	1.447	+	0.359
	8	1.336	+	0.477	1.447	+	0.477
	<i>Destination Entry</i>						
	1 & 2	\$1.019	+	\$0.086	\$1.130	+	\$0.086
DBMC	3	1.019	+	0.124	1.130	+	0.124
Zone	4	1.019	+	0.164	1.130	+	0.164
	5	1.019	+	0.218	1.130	+	0.218
DSCF		\$0.636	+	\$0.083	\$0.747	+	\$0.083
DDU		0.552	+	0.040	0.663	+	0.040

1. Multiply the number of pounds in the mailing by the rate per pound. Multiply the number of pieces in the mailing by the rate per piece. Add both totals.
2. Machinable presorted parcels may be eligible for the barcoded discount of \$0.03 per parcel (50-piece minimum), except for parcels mailed at presorted DDU or DSCF rates.

Extra Services and Fees

BUSINESS REPLY AND QUALIFIED BUSINESS REPLY MAIL

Business Reply Mail® (BRM)

	High Volume	Basic
Annual permit fee	\$175.00	\$175.00
Annual account maintenance fee	550.00	None
1-ounce letter rate + per piece ¹	0.41 + 0.08	0.41 + 0.70
1-ounce flat rate + per piece ¹	0.80 + 0.08	0.80 + 0.70
1-ounce parcel rate + per piece ¹	1.13 + 0.08	1.13 + 0.70
Card rate + per piece	0.26 + 0.08	0.26 + 0.70

Qualified Business Reply Mail (QBRM)

	High Volume	Basic
Annual permit fee	\$175.00	\$175.00
Annual account maintenance fee	550.00	550.00
Quarterly fee	1,800.00	None
1-ounce letter rate + per piece ²	0.380 + 0.005	0.380 + 0.05
Card rate + per piece	0.230 + 0.005	0.230 + 0.05

- \$0.17 each additional ounce: apply Priority Mail rates for pieces over 13 ounces.
- Second ounce or fraction—\$0.17.

CALLER SERVICE

For each separation provided, per semiannual (6 month) period.
For each reserved call number, per calendar year—\$38.00.

Fee Group	Fee
1	\$630.00
2	550.00
3	485.00
4	475.00
5	465.00
6	415.00
7	370.00

CERTIFIED MAIL

Fee—\$2.65

COLLECT ON DELIVERY (COD)

Amount to be collected or insurance coverage desired, whichever is higher¹ Fee

\$0.01 to \$50	\$5.10
50.01 to 100	6.25
100.01 to 200	7.40
200.01 to 300	8.55
300.01 to 400	9.70
400.01 to 500	10.85
500.01 to 600	12.00
600.01 to 700	13.15
700.01 to 800	14.30
800.01 to 900	15.45
900.01 to 1,000	16.60

Restricted delivery ²	\$4.10
Notice of nondelivery	3.40
Alteration of COD charges or designation of new addressee	3.40
Registered COD ³	4.55

- For Express Mail COD shipments valued at \$100 or less, the COD fee charged is based on the amount to be collected. Express Mail insurance automatically provides up to \$100 merchandise insurance.
- Not available with Express Mail COD.
- Regardless of amount to be collected or insurance value.

CERTIFICATE OF MAILING

Individual Pieces	Fee
Individual article (Form 3817)	\$1.05
Duplicate copies of Form 3817 or mailing bill, per page	1.05
Firm mailing books (Form 3877), per article listed (min. 3)	0.35

Bulk Quantities	Fee
For first 1,000 pieces (or fraction thereof)	\$5.50
Each additional 1,000 pieces (or fraction thereof)	0.60
Duplicate copy of Form 3606	1.05

CONFIRM®

Subscription Level	Subscription Fee and Term	Additional ID Code Fee and Term	Additional Scans Fee and Number
Silver	\$2,000 3 months	\$750 quarterly \$2,000 annual	\$500 block of 2 million scans
Gold	\$6,000 12 months	\$750 quarterly \$2,000 annual	\$750 block of 6 million scans
Platinum	\$19,500 12 months	\$750 quarterly \$2,000 annual	NA

DELIVERY CONFIRMATION™

Service	Fee
First-Class Mail¹	
Retail	\$0.75
Electronic	0.18
Priority Mail	
Retail	\$0.65
Electronic	0.00
Package Services²	
Retail	\$0.75
Electronic	0.18
Standard Mail³	
Electronic	\$0.18

SIGNATURE CONFIRMATION™

Service	Fee
First-Class Mail¹	
Retail	\$2.10
Electronic	1.75
Priority Mail	
Retail	\$2.10
Electronic	1.75
Package Services¹	
Retail	\$2.10
Electronic	1.75

- Available only for parcels.
- Available only for parcels. No charge for Parcel Select electronic option.
- Available only for Not Flat-Machinables and parcels.

INSURANCE

Merchandise Insurance Coverage Desired	Fee ¹
\$0.01 to \$50	\$1.65
50.01 to 100	2.05
100.01 to 200	2.45
200.01 to 300	4.60
300.01 to 400	5.50
400.01 to 500	6.40
500.01 to 600	7.30
600.01 to 5,000	\$7.30 plus \$0.90 for each \$100 or fraction over \$600 in declared value. (maximum liability is \$5,000)

- Bulk insurance discount \$0.80 per piece (see DMM 503.4.4).

EXPRESS MAIL INSURANCE

Merchandise Insurance Coverage Desired	Fee
\$0.01 to \$100.00	\$0.00
100.01 to 200.00	0.75
200.01 to 500.00	2.10
500.01 to 5,000.00	\$2.10 plus \$1.35 for each \$500 or fraction over \$500.

Express Mail merchandise maximum coverage: \$5,000.
Document reconstruction maximum liability: \$100.

Extra Services and Fees

MERCHANDISE RETURN SERVICE

Annual permit fee—\$175.00.
Annual account maintenance fee (for advance deposit account)—\$550.00.

MONEY ORDERS

Service	Fee
Domestic money order	
\$0.01 to \$500	\$1.05
500.01 to 1,000	1.50
Postal military money order (issued by military facilities)	0.30
Inquiry fee (includes the issuance of a copy of a paid money order)	5.00
Maximum amount per money order: \$1,000	

PARCEL AIRLIFT (PAL)

Weight Not More Than (pounds)	Fee
2	\$0.50
3	1.00
4	1.45
30	2.00

POST OFFICE BOX SERVICE

Per Semiannual (6-month) Period

Fee Group	Box Size and Fee				
	1	2	3	4	5
1	\$42.00	\$64.00	\$118.00	\$242.00	\$390.00
2	35.00	54.00	94.00	184.00	326.00
3	28.00	46.00	84.00	150.00	250.00
4	20.00	34.00	52.00	102.00	196.00
5	18.00	26.00	48.00	88.00	148.00
6	13.00	20.00	35.00	62.00	110.00
7	10.00	16.00	28.00	48.00	86.00
E ¹	0	0	0	0	0

1. Eligibility and location determined by USPS.

Deposit per key issued—\$1.00

Key duplication or replacement (after first two keys), each—\$6.00

Post Office box lock replacement, each—\$14.00

RESTRICTED DELIVERY

Fee, per item, in addition to postage and other fees—\$4.10

RETURN RECEIPT (In conjunction with another service)

Service	Fee
Requested at time of mailing (Form 3811, receive by mail)	\$2.15
Requested at time of mailing (receive electronically)	0.85
Requested after mailing (Form 3811-A, receive by fax, mail, or e-mail)	3.80

RETURN RECEIPT FOR MERCHANDISE (Form 3804)

Service	Fee
Requested at time of mailing	\$3.50

SPECIAL HANDLING

Weight (pounds)	Fee
Not more than 10	\$6.90
More than 10	9.60

REGISTERED MAIL™

Declared Value	Fee (in addition to postage) ¹
\$0.00	\$9.50
0.01 to \$100	10.15
100.01 to 500	11.25
500.01 to 1,000	12.35
1,000.01 to 2,000	13.45
2,000.01 to 3,000	14.55
3,000.01 to 4,000	15.65
4,000.01 to 5,000	16.75
5,000.01 to 6,000	17.85
6,000.01 to 7,000	18.95
7,000.01 to 8,000	20.05
8,000.01 to 9,000	21.15
9,000.01 to 10,000	22.25
10,000.01 to 11,000	23.35
11,000.01 to 12,000	24.45
12,000.01 to 13,000	25.55
13,000.01 to 14,000	26.65
14,000.01 to 15,000	27.75
15,000.01 to 16,000	28.85
16,000.01 to 17,000	29.95
17,000.01 to 18,000	31.05
18,000.01 to 19,000	32.15
19,000.01 to 20,000	33.25
20,000.01 to 21,000	34.35
21,000.01 to 22,000	35.45
22,000.01 to 23,000	36.55
23,000.01 to 24,000	37.65
24,000.01 to 25,000	38.75

Declared Value	Fee (in addition to postage) ¹
\$25,000.01 to \$15 million	\$38.75 plus \$1.10 handling charge for each \$1,000 or fraction over first \$25,000.
Over \$15 million	\$16,511.25 plus amount determined by USPS based on weight, space, and value.

1. Fees for articles valued over \$25,000 are for handling only. Maximum amount of insurance coverage available is \$25,000.

Additional Services

Return Receipts

Requested at time of mailing showing to whom, signature, date of delivery, and addressee's address (if different)—\$2.15

Requested at time of mailing (receive electronically)—\$0.85

Requested after mailing showing only to whom and date delivered—\$3.80

COD Collection Charge—\$4.55 (maximum amount collectible is \$1,000)

Restricted Delivery—\$4.10

ADDRESS CORRECTION SERVICE

Per manual notice issued—\$0.50

Per electronic notice (or manual notice for electronic option customers) issued:

 First-Class Mail—\$0.06

 Other than First-Class Mail—\$0.25

Per automated notice issued:

 First-Class Mail letters (first two notices)—\$0.00

 First-Class Mail letters (per additional notice)—\$0.05

 Standard Mail letters (first two notices)—\$0.02

 Standard Mail letters (per additional notice)—\$0.15

Miscellaneous Fees and Charges

ADDRESS SEQUENCING SERVICE

Per card removed by the USPS for an incorrect or undeliverable address or added for a missing or new address—\$0.33

ANNUAL MAILING FEES (per 12-month period)

First-Class Mail Presort, per office of mailing—\$175.00
 Standard Mail—\$175.00
 Parcel Select—\$175.00
 Presorted Media Mail—\$175.00
 Presorted Library Mail—\$175.00
 Bound Printed Matter (destination entry)—\$175.00
 Parcel Return Service—\$175.00

PERIODICALS APPLICATION FEES

Fees Effective July 15, 2007
 Original entry—\$500.00
 Additional entry—\$75.00
 Reentry—\$55.00
 Registration for news agents—\$45.00

BULK PARCEL RETURN SERVICE

Annual permit fee—\$175.00
 Annual account maintenance fee—\$550.00
 Per piece returned, regardless of weight—\$2.10
 For Standard Mail machinable parcels only.

DETACHED ADDRESS LABELS

For Standard Mail Enhanced Carrier Route flats and parcels, per detached address label—\$0.015

MAILING LIST SERVICE

For correction of name and address on occupant lists, per name on list—\$0.33. Minimum per list (30 items)—\$9.90
 For sortation of mailing lists on cards by 5-digit ZIP Code, per 1,000 addresses or fraction—\$110.00
 For address changes provided to election boards and voter registration commissions, per Form 3575—\$0.32

PERIODICALS RIDE-ALONG

For each piece enclosed or attached to a Periodical—\$0.131

PERMIT IMPRINT

Application fee—\$175

PICKUP SERVICE FEE

For Express Mail, Priority Mail, and Parcel Post:
 Per Pickup on Demand or Custom Designed delivery stop—\$14.25

PREMIUM FORWARDING SERVICE

Enrollment fee—\$10.00
 Weekly reshipment charge—\$11.95

REPOSITIONABLE NOTES

First-Class Mail letters and flats—\$0.005
 Periodicals letters and flats—\$0.015
 Standard Mail letters and flats—\$0.015

SHIPPER PAID FORWARDING

Annual account maintenance fee—\$550
 For Standard Mail machinable parcels and most Package Service parcels.

SURCHARGES

Parcel Post

Nonmachinable Intra-BMC/ASF—\$2.87
 Nonmachinable Inter-BMC/ASF—\$3.89

Parcel Select

Nonmachinable DBMC—\$2.14
 Nonmachinable DSCF sorted to 3-Digit ZIP Code areas—\$0.96

Postal Explorer® *pe.usps.com*

Your source for up-to-date business mailing information.

Publications

Mailing Standards of the United States Postal Service, Domestic Mail Manual (DMM®)
Quick Service Guides
 Customer Support Rulings
 Notice 123, *Ratefold*
Postal Addressing Standards
An Introduction to Mailing for Businesses and Organizations
International Mail Manual (IMM)
 Postage Statements

Retail and Business Rate Calculators—calculate domestic and international rates.

Zone Charts—access national Zone Charts.

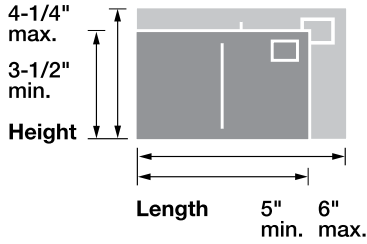
DMM Advisory—Message board to keep postal customers informed of changes to mailing standards, services, and prices.

Standard Mail Eligibility—Easy-to-use decision tree to help determine Standard Mail eligibility.

First-Class Mail—Single-Piece Rates

SHAPE	SIZE		RATE
-------	------	--	------

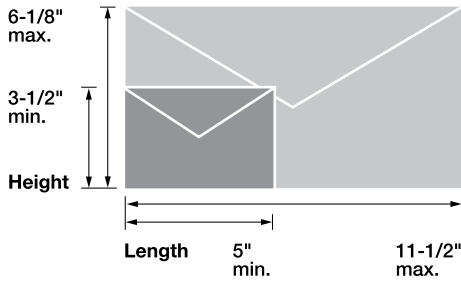
Postcards



	minimum	maximum
length	5 inches	6 inches
height	3-1/2 inches	4-1/4 inches
thickness	0.007 inch	0.016 inch

Rate
\$0.26

Letters

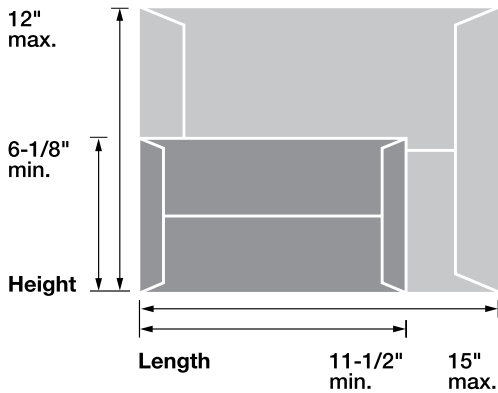


	minimum	maximum
length	5 inches	11-1/2 inches
height	3-1/2 inches	6-1/8 inches
thickness	0.007 inch	1/4 inch

Weight Not Over (ounces)	Rate
1	\$0.41
2	0.58
3	0.75
3.5	0.92

Letters that meet one or more of the nonmachinable characteristics in DMM 101.1.2 are subject to the \$0.17 nonmachinable surcharge.

Large Envelopes (Flats)

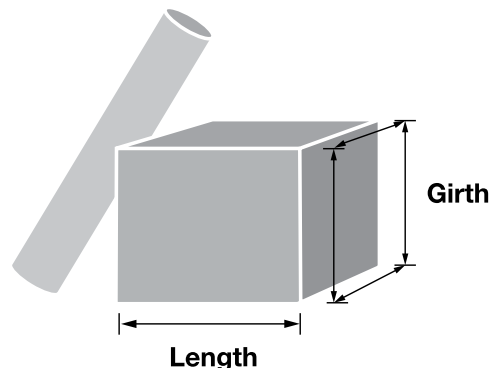


	minimum*	maximum
length	11-1/2 inches	15 inches
height	6-1/8 inches	12 inches
thickness	1/4 inch	3/4 inch

Weight Not Over (ounces)	Rate
1	\$0.80
2	0.97
3	1.14
4	1.31
5	1.48
6	1.65
7	1.82
8	1.99
9	2.16
10	2.33
11	2.50
12	2.67
13	2.84

* Flats exceed at least one of these dimensions. Pieces that are rigid, nonrectangular, or not uniformly thick pay parcel rates

Packages



length + girth
length + girth cannot exceed 108 inches (Parcel Post cannot exceed 130 inches)
length the longest side of the package
girth measurement around the thickest part (perpendicular to the length).

Weight Not Over (ounces)	Rate
1	\$1.13
2	1.30
3	1.47
4	1.64
5	1.81
6	1.98
7	2.15
8	2.32
9	2.49
10	2.66
11	2.83
12	3.00
13	3.17